

## 6. EL. DIZALICE, VITLA I VILIČARI El. hoists, forklifts

### 6.2. Ručni paletni viličari

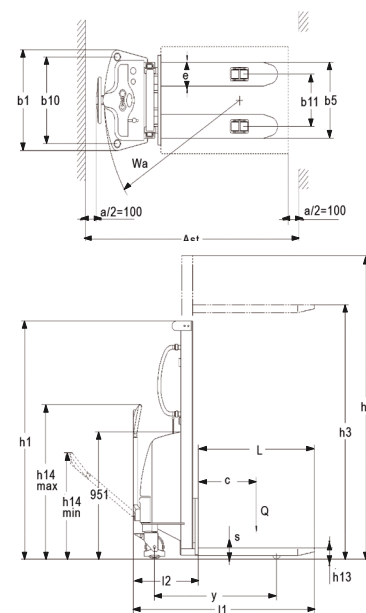
#### Viličar ručni paletni visokopodizni, električno dizanjetip SPM RX-lift

##### Semi electric stacker type SPM RX-lift

Model	SPM1516	SPM1525	SPM1530	SPM1535	SPM1529A	SPM1529FFL
Kapacitet Q (kg) Load capacity	1500	1500	1500	1500	1500	1500
Udaljenost od centra utovara c (mm) Load centre distance c	600	600	600	600	600	600
Baza kotača y Wheelbase y	1180	1180	1180	1180	1180	1180
Težina sa baterijom (kg) Weight (including battery)	436	516	543	543	554	554
Veličina prednjih kotača (mm) Tyre size, front	180x50	180x50	180x50	180x50	180x50	180x50
Veličina stražnjih kotača (mm) Tyre size, rear mm	74x70	74x70	74x70	74x70	74x70	74x70
Broj kotača prednji/stražnji Wheels, number front/rear	2/4	2/4	2/4	2/4	2/4	2/4
b10 (mm)	680	680	680	680	680	680
b11 (mm)	390/490	390/490	390/490	390/490	390/490	390/490
h1 (mm)	1980	1780	2030	2280	1980	2030
h2 (mm)	-	-	-	-	1440	1490
h3 (mm)	1600	2500	3000	3500	2900	2900
h4 (mm)	1980	3020	3520	4020	3420	3520
h14 (mm)	790/1156	790/1156	790/1156	790/1156	790/1156	790/1156
h13 (mm)	85	85	85	85	85	85
L1 (mm)	1720/1535	1720/1535	1720/1535	1720/1535	1720/1535	1725/1535
L2 (mm)	626	630	630	630	630	630
b1 (mm)	777	777	777	777	777	777
s/e/L (mm)	60/180/1100 60/150/900	60/180/1100 60/150/900	60/180/1100 60/150/900	60/180/1100 60/150/900	60/180/1100 60/150/900	60/180/1100 60/150/900
b5 (mm)	570 330-640	570 330-640	570 330-640	570 330-640	570 330-640	570 330-640
Ast (mm)	2145	2145	2145	2255	2145	2255
Ast (mm)	2175	2175	2175	2212	2175	2212
Wa (mm)	1280	1280	1280	1400	1280	1400
Brzina dizanja (mm/s) Lifting speed	65/100	65/100	65/100	65/100	72/112	72/112
Brzina spuštanja (mm/s) Lowering speed	85/70	85/70	85/70	80/70	96/80	96/80
Kočnica parkiranja Parking brake	ručna	ručna	ručna	ručna	ručna	ručna
Kapacitet dizanja motora na S3 15% (kW) Lift motor rating at S3 15%	1,5	1,5	1,5	1,5	1,5	1,5
Napon baterije, nom. kapacitet K5 (V/ah) Battery Volatg. nominal capacity K5	12/150	12/150	12/150	12/50	12/150	12/150



2.1 2.2 CE



• EN ISO 3691-1, ISO/TS 3697-7, EN 1175-1

- ergonomska ručka
- kretanje: ručno
- podizanje: hidraulični pogon